



Super Duty Series

16" / 400mm

20" / 500mm



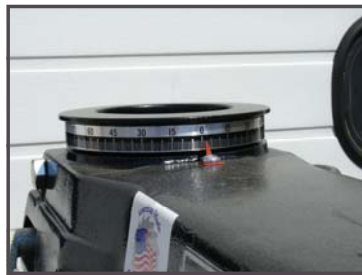
WE'VE WORKED WITH A WIDE RANGE OF APPLICATIONS. HOW CAN WE HELP YOU?

Simplifying one application at a time. PROVEN DEPENDABLE RELIABLE

Authorized Dealer:
Global Sales Group, LLC
P.O. Box 1835 * Chico, CA 95927
Toll Free: 877-474-5521
Office: 530-893-2444
www.globalsalesgroupllc.com



Bevel Stop—Standard



Miter Scale—Standard



Auto Return Reel –
standard on units without
chain / power feed

The Super Duty Series is the ultimate workhorse of the industry capable of operating 2 to 3 shifts per day. Able to do a wide variety of cutoff and dado operations, these massive 850 pound machines are constructed of cast and ductile iron for vibration free operation. These machines are very versatile and capable of swiveling the arm for miter cuts and swiveling the motor for bevel cuts or combination of both. The yoke also indexes at 90° to rotate and lock the motor into a rip position to allow the machine to rip panels. These machines are found in a wide variety of manufacturing facilities, crating departments, timber home and prefabricated housing manufacturers, door companies, truss plants. The entire Super Duty Series is better than ever with an improved finish, more durable powder coated castings and heavy steel frame. This machine, coupled with our new power carriage feed accessories, make the machine a semi-automatic platform capable of a wide variety of production operations.

MODEL:	3551	3556	3571	3576	3553	3558
Arm	Medium	Long	Medium	Long	Medium	Long
Blade Size	16" / 400mm	16" / 400mm	16" / 400mm	16" / 400mm	20" / 500mm	20" / 500mm
MOTOR: ALL MOTORS TOTALLY ENCLOSED FAN COOLED						
HP	5	5	7.5	7.5	7.5	7.5
Phase	1	1	3	3	3	3
Hertz	60	60	50/60	50/60	50/60	50/60
Volts *	230	230	230/460 *	230/460 *	230/460 *	230/460 *
Amp (rated)	28	28	19 / 9.5	19 / 9.5	19 / 9.5	19 / 9.5
Brake	automatic	automatic	automatic	automatic	automatic	automatic
Arbor	1" x 3 1/8"	1" x 3 1/8"	1" x 3 1/8"	1" x 3 1/8"	1" x 3 1/8"	1" x 3 1/8"
CAPACITIES: inches / metric						
Maximum Out-Rip	40 3/4" / 1035mm	48 3/4" / 1238mm	40 3/4" / 1035mm	48 3/4" / 1238mm	40 3/4" / 1035mm	48 3/4" / 1238mm
Max Cross Cut ↑ Stock	24" / 609mm	32" / 812mm	24" / 609mm	32" / 812mm	24" / 609mm	32" / 812mm
Max Miter 45o ↑ Stock	16" / 406mm	21 5/8" / 549mm	16" / 406mm	21 5/8" / 549mm	16" / 406mm	21 5/8" / 549mm
Max Depth of Cut	4 3/8" / 111mm	4 3/8" / 111mm	4 3/8" / 111mm	4 3/8" / 111mm	6 1/4" / 158mm	6 1/4" / 158mm
Max Depth of Cut 45o Bevel	2" / 50mm	2" / 50mm	2" / 50mm	2" / 50mm	3 1/4" / 82mm	3 1/4" / 82mm

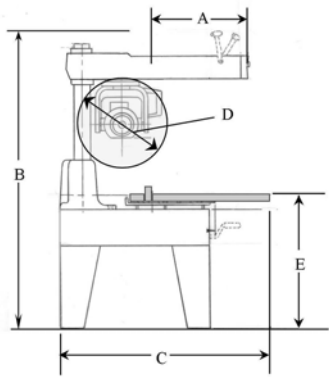
* note motor voltages available in : 220 v 1 phase 230, 240, 380, 400, 460, 575 3 phase 50/60Hz

Optional Accessories

- Electronic Power Carriage Feed System
- Manual Carriage Feed (hand crank) Systems
- S Series Manual Measuring Systems
- S Series Material Handling Extension Roller Tables
- S Series Material Handling Flat Extension Tables
- Pneumatic Material Clamping Tables
- Dust Collection Hoods

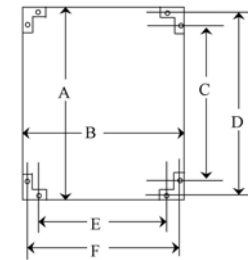


cutoff



Index #	A	B	C	D	E
Model#					
3551	24" / 609mm	64" / 1625mm	51" / 1295mm	16" / 400mm	33" / 835mm
3556	32" / 812mm	64" / 1625mm	59" / 1500mm	16" / 400mm	33" / 835mm
3571	24" / 609mm	64" / 1625mm	51" / 1295mm	16" / 400mm	33" / 835mm
3576	32" / 812mm	64" / 1625mm	59" / 1500mm	16" / 400mm	33" / 835mm
3553	24" / 609mm	64" / 1625mm	51" / 1295mm	20" / 500mm	33" / 835mm
3558	32" / 812mm	64" / 1625mm	59" / 1500mm	20" / 500mm	33" / 835mm
3554	23" / 585mm	64" / 1625mm	51" / 1295mm	20" / 500mm	33" / 835mm
3559	31" / 785mm	64" / 1625mm	59" / 1500mm	20" / 500mm	33" / 835mm

Index	Dimensions
A	48" / 1220mm
B	36" / 915mm
C	36.25" / 920mm
D	46 1/2" / 1180mm
E	24.25" / 615mm
F	34.5" / 875mm



Super Duty Series type 7

Benefits:

- Cut off 32" wide material in one pass
- Square cabinet doors and cut off wide shelving
- Miter a 16" wide panel at 45 degrees
- Extra power to cut multiple pieces at a time up to 6.25" deep on 20" / 400mm machines
- Safety and piece of mind with automatic blade braking system and full magnetic starter.
- Carriage Return Spring (OSHA required)
- Automatic adjusting lower guard (OSHA required)

Features:

- Long heavy dual core cast iron arm
- Cast iron latched located into cast iron ring give accuracy throughout the full cut length
- Miter latch system provides repeatable accuracy
- 5 hp 1 phase and 7.5 hp 3 phase Totally Enclosed Fan Cooled arbor motors with die cast rotors and precision machined arbors
- Automatic electromechanical brake system built into the motor and a magnetic starter with low / overload protection and low voltage (24volt) control
- Spring attachment will return carriage to its rest or start position if the handle is released. (units without the optional power or manual crossfeed)
- Lower blade guard automatically adjusts over different thickness material



WE'VE WORKED WITH A WIDE RANGE OF APPLICATIONS. HOW CAN WE HELP YOU?

Simplifying one application at a time.

PROVEN

DEPENDABLE

RELIABLE