



Super Duty Series 22" / 550mm



Manual Chain Carriage Feed Standard on
22" machines



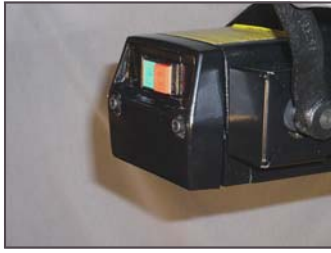
WE'VE WORKED WITH A WIDE RANGE OF APPLICATIONS. HOW CAN WE HELP YOU?

Simplifying one application at a time. PROVEN DEPENDABLE RELIABLE

Authorized Dealer:
Global Sales Group, LLC
P.O. Box 1835 * Chico, CA 95927
Toll Free: 877-474-5521
Office: 530-893-2444
www.globalsalesgroupllc.com



Electronics Enclosure housing the variable frequency drive system



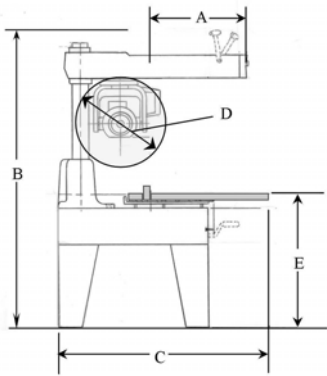
Standard "up front" mounted start/stop station

The new type 9 version of the 22" Super Duty improves on a very stable cutting platform. The updated type 9 version now uses a Variable Frequency Drive to power the arbor motor. The VFD starts the blade over a few seconds to reduce the amp draw on the motor and provide a smooth start. This Series has a blade capacity of 22" and a cutting capacity of 8" deep in a single pass. This series differs from the standard Super Duty series by the addition of the VFD as well as a manual chain carriage feed attachment. Another difference is the lack of a yoke clamp handle as these machines do not have the ability to swivel into a rip position. All other operations are the same as the standard Super Duty Series. These machines are also capable of operation in an industrial environment operating in a 2—3 shift per day atmosphere. They are found in log home manufacturing facilities, manufacturing plants, anywhere large material or a large volume of pieces at a time are needing to be cut, bevel cut, or miter cut.

MODEL:	3554	3559
Arm	Medium	Long
Blade Size	22"/550mm	22"/550mm
MOTOR: ALL MOTORS TOTALLY ENCLOSED FAN COOLED		
HP	7.5	7.5
Phase	3	3
Hertz	50/60	50/60
Volts *	230/460*	230/460*
Amp (rated)	19 / 9.5	19 / 9.5
Brake	auto - electronic solid state	auto - electronic solid state
Arbor (diameter x length)	1" x 1 3/8"	1" x 1 3/8"
CAPACITIES: inches / metric		
Maximum Out-Rip	no ripping	no ripping
Max Cross Cut 1 Stock	23" / 584mm	31" / 787mm
Max Miter 45o 1 Stock	18" / 468mm	21 5/8" / 548mm
Max Depth of Cut	8" / 203mm	8" / 203mm
Max Depth of Cut 45o Bevel	4" / 101mm	4" / 101mm

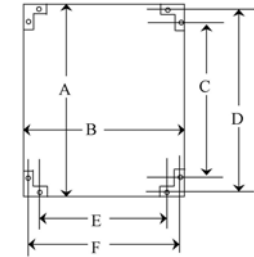
Optional Accessories

- Electronic Power Carriage Feed system
- S Series Manual measuring systems
- S Series Material Handling extension roller tables
- S Series Material Handling flat extension tables
- Pneumatic material clamping tables
- Dust Collection Hoods



Index #	A	B	C	D	E
Model#					
3554	23" / 605mm	64" / 1625mm	51" / 1295mm	20" / 500mm	33" / 835mm
3559	31" / 785mm	64" / 1625mm	59" / 1500mm	20" / 500mm	33" / 835mm

Index	Dimensions
A	48" / 1220mm
B	38" / 915mm
C	38.25" / 920mm
D	46 1/2" / 1180mm
E	24.25" / 615mm
F	34.5" / 875mm



Super Duty 22" Series type 9

Benefits:

- Cut off 8" thick x 24wide material in one pass
- Square laminated beams and cut off stacks of wide shelving
- Miter a 21" wide 8" thick panel at 45 degrees
- Smooth ramped up starting up and low amp inrush on startup
- Safety and piece of mind with automatic blade brake for safety
- Anti-restart feature (OSHA Required) and Low Voltage start/stop
- Automatic adjusting lower guard (OSHA required)

Features:

- Long heavy dual core cast iron arm
- Cast iron latch located into cast iron ring give accuracy throughout the full cut length
- Miter latch system provides repeatable accuracy
- Variable Frequency Drive (VFD) ramps up speed over 10 second period.
- Automatic brake system and overload and low voltage protection provided by VFD
- VFD will drop out when power is disrupted or low and machine will not restart until start button is pressed
- Blade guard automatically adjusts over different thickness material



WE'VE WORKED WITH A WIDE RANGE OF APPLICATIONS. HOW CAN WE HELP YOU?

Simplifying one application at a time. PROVEN DEPENDABLE RELIABLE